

RL3536

Dark Field Ring Light



Aii Exceptional lighting for inspecting specular surfaces.

Aii Produces classic dark field illumination.

Ordering Information

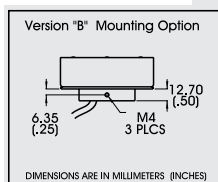
Standard Product:
Shipped Next Day

Standard Product Variation:
Shipped Within Two Weeks

RL3536

P/N: RL3536-660
Configured for use with Ai
Power Supply

Mounting Options	Spectral wavelength	Optional power Compatibility	Optional Light Conditioning	Alternative Connector
RL3536 X B	- XXX	XX	X	XXX
	(UV) 395 [◇] (blue) 470 [†] (green) 520 [†] (yellow) 590 (orange) 625 (red) 660 (infra-red) 880 (white) WHI [†]	IC IS C2 C3 C5 12 24	D (Diffuser) P (Polarizer)	M12* (male)



IC = iCS (requires 24v power supply)
IS = iSU (requires 24v power supply)
C2 = Ai Connector
C3 = Pulsar 710 Connector
C5 = Pulsar 320 Connector
* Available with IC, IS, and 24v options only
† Not available in 12v

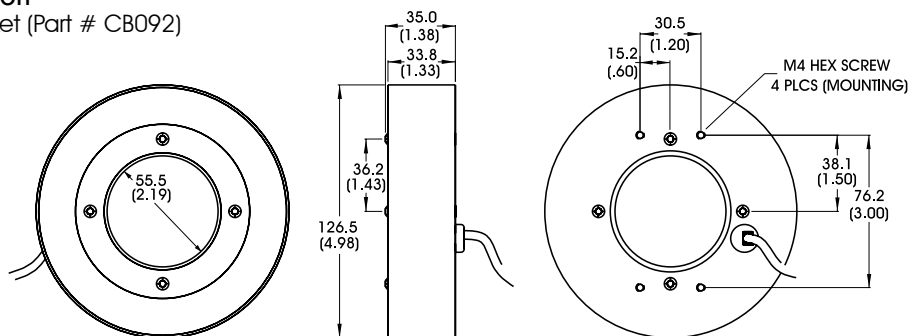
Optimal working distance:

76.2mm (3")
up to 152.4mm (6")

◇ UV LEDs have a considerably shorter half-life than other LEDs (< 1000hrs). For this reason Ai recommends these LEDs be used in strobe mode only. For applications requiring continuous 24v power, contact Ai for assistance.

Dimensional Information

Includes Mounting Bracket (Part # CB092)



[Click for Installation Models & Drawings](#)

Cable Length: 1.5 Meter (59")

DIMENSIONS ARE IN MILLIMETERS (INCHES)

Standard Variation Current Specifications

	blue	green	yellow	orange	red	infra-red	white	
@12	N/A	N/A	120	120	180	180	N/A	mA
@24	120	120	120	120	120	120	120	mA

Standard Product Information

Product Lifetime:	50,000 hours
Operating Temperature:	0-60° C