

LL6324

High Intensity Line Light



- Aii** Intense illumination for long working distanced or large area applications.
- Aii** Works great in pairs to create a square area of illumination.

Ordering Information

Standard Product:
Shipped Next Day

LL6324-WHIIC

Configured with in-line Current Source

Standard Product Variation:
Shipped Within Two Weeks

	Lens Option ^	Spectral wavelength	Optional power compatibility	Heat Sink	Wash Down Option	Optional Light Conditioning	Alternative Connector
LL6324	X	-	XXX	X	X	X	XXX
	N	(uv) 395 Δ \diamond	IC	H	W	D $^\circ$ (Diffuser)	M12* (male)
	W	(blue) 470 (green) 530 (amber) 590 (red) 625 (infra-red) 850 Δ (white) WHI	IS 24 C2 C3 C5			P $^\circ$ (Polarizer)	

\diamond UV LEDs have a considerably shorter half-life than other LEDs (<1000hrs). For this reason Ai recommends these LEDs be used in strobe mode only. For applications requiring continuous 24v power, contact Ai for assistance.

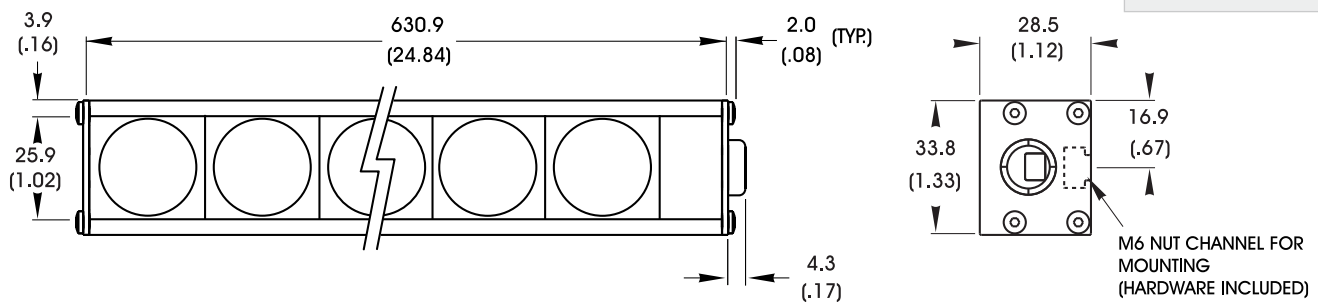
IC = iCS (requires 24v power supply)
IS = iSU (requires 24v power supply)
C2 = Ai Connector
C3 = Pulsar 710 Connector
C5 = Pulsar 320 Connector
* Available with IC, IS, and 24v options only
 $^\circ$ - Not available with Wash Down Option
 Δ Available with Medium lens option only

Optimal working distance:

152.4mm (6") - 609.6mm (24")

^ Leave blank for Standard, Medium (M) Lens

Dimensional Information



[Click for Installation Models & Drawings](#)

Cable Length: 1.5 Meter (59")

DIMENSIONS ARE IN MILLIMETERS (INCHES)

Standard Variation Current Specifications

	uv	blue	green	amber	red	infra-red	white	
@24	1.4	1.4	1.4	1.4	1.4	1.4	1.4	A

Standard Product Information

Product Lifetime:	50,000 hours
Operating Temperature:	0-60° C