

# LL137

## 12" High Intensity Line Light



- Aii** Passively cooled design
- Aii** Perfect for line scanning applications.  
200,000 Lux @ 3"; 50,000 hours life
- Aii** Intensity control of entire light via 10 - 0v input

### Ordering Information

Standard Product:  
Shipped Next Day

**LLI37E12-WHI24**

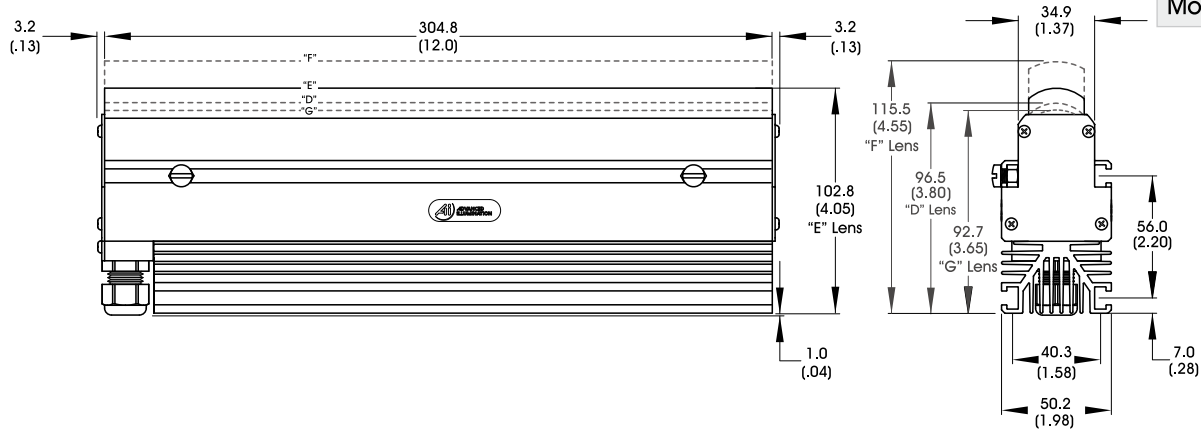
Configured for use with user  
supplied 24v power supply.

Standard Product Variation: Shipped Within Three Weeks*	
Lens Type	Optional power compatibility
LL137 X 12	XXX XX
D (blue) 470	C3
E (green) 530	24
F (amber) 590	
G (red) 625	
(infra-red) 850	
(white) WHI	

C3 = Pulsar 710 Connector  
\* IR option has a 4 week lead time

Lens	Working Distance	Beam Width
D	50mm (2")	2mm (.08")
E	75mm (3")	3mm (.13")
F	150mm (6")	6mm (.25")
G	300mm (12") 600mm (24") 900mm (36") 1200mm (48")	25mm (1.0") 45mm (1.7") 64mm (2.5") 75mm (3.0")

### Dimensional Information



[Click for Installation Models & Drawings](#)

Cable Length: 1.5 Meter (59")

DIMENSIONS ARE IN MILLIMETERS (INCHES)

### Standard Variation Current Specifications

	blue	green	amber	red	infra-red	white
@24	2.2A	2.2A	2.2A	2.2A	2.2A	2.2A

### Standard Product Information

Product Lifetime:	50,000 hours
Operating Temperature:	0-50° C