

EL193

Surface Mount LED Back Light Strip



- 4i)** Extremely consistent light over the entire active area of illumination
- 4i)** Available in 25mm (1") increments up to 80"

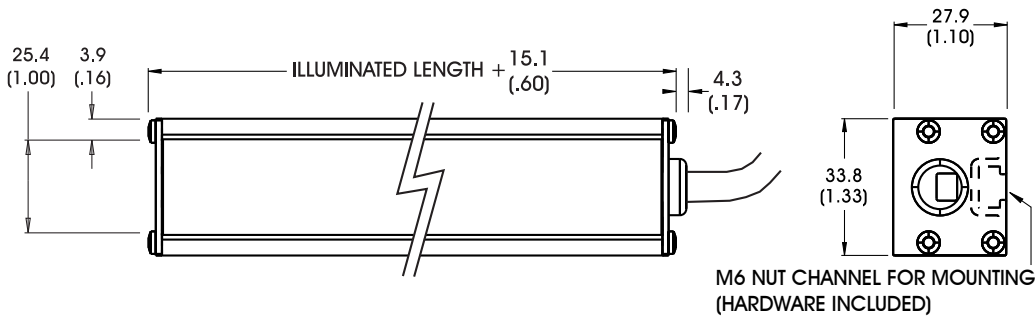
Ordering Information

Standard Product Variation:
Shipped Within Three Weeks

EL193	Illuminated Length (in inches)	-	Spectral wavelength	Optional power Compatibility*
	XXX		XXX	XX
	1" increments		(red) 660 (infra-red) 880	12 24

*If configured for use with an Ai power supply, leave blank

Dimensional Information



Cable Length: 1.5 Meter (59")

DIMENSIONS ARE IN MILLIMETERS (INCHES)

Current Specifications

Maximum draw per 25mm (1") length

	blue	green	yellow	orange	red	infra-red	white	RGB	
@12	N/A	N/A	N/A	N/A	60	60	N/A	N/A	mA
@24	N/A	N/A	N/A	N/A	30	30	N/A	N/A	mA

Product Information

Product Lifetime:	50,000 hours
Operating Temperature:	0-65° C