

# EL138

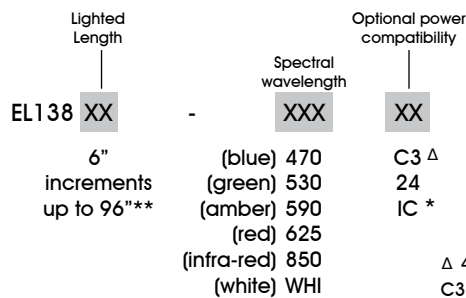
## Expandable, High Intensity Strip Back Light

- Aii** 295,000 lux. Perfect for line-scanning applications
- Aii** Passively cooled design
- Aii** Intensity control of entire light via 0 - 10v input



### Ordering Information

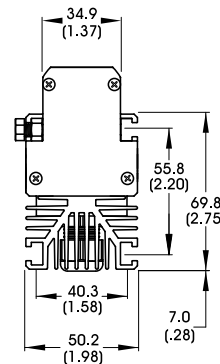
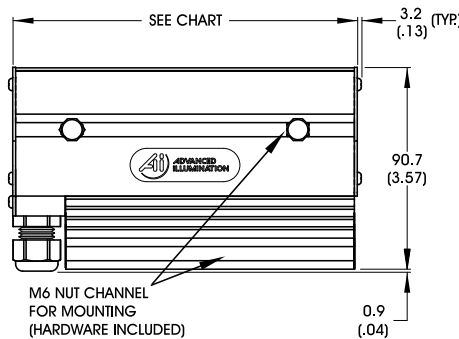
Standard Product Variation:  
Shipped Within Three Weeks



Δ 42" maximum length  
C3 = Pulsar 710 Connector  
\* Allows for control of intensity on each 6" section  
\*\* Lights over 42" in length have dual cables

### Dimensional Information

TABULATION TABLE		
DASH NUMBER	LENGTH (XX)	DESCRIPTION
-03	3.0"	EL13803
-06	6.0"	EL13806
-12	12.0"	EL13812
-18	18.0"	EL13818
-24	24.0"	EL13824
-30	30.0"	EL13830
6" increments up to a max. 96"		
-96	96.0"	EL13896



[Click for Installation Models & Drawings](#)

DIMENSIONS ARE IN MILLIMETERS (INCHES)

Cable Length: 1.5 Meter (59")

### Standard Variation Current Specifications

	blue	green	amber	red	infra-red	white
@24	1.1A	1.1A	1.1A	1.1A	1.1A	1.1A

### Standard Product Information

Finish:	Black Anodized
Operating Temperature:	0-60 C
Meets Specifications:	CE, RoHS
Product Lifetime:	50,000 hours