

# EL137

## Expandable, High Intensity Line Light



- Aii** Passively cooled design in 6" increments up to 96"
- Aii** Perfect for line scanning applications. 200,000 Lux @ 3"; 50,000 hours life
- Aii** Intensity control of entire light via 0 - 10v input

### Ordering Information

Standard Product Variation:  
Shipped Within Three Weeks

EL137	Lens Type <b>X</b>	Lighted Length <b>XX</b>	-	Spectral wavelength <b>XXX</b>	Optional power compatibility <b>XX</b>
	D	6"		(blue) 470	C3 $\Delta$
	E	increments		(green) 530	24
	F	up to 96"		(amber) 590	IC * <b>NEW!</b>
	G			(red) 625	
				(infra-red) 850	
				(white) WHI	

$\Delta$  42" maximum length  
C3 = Pulsar 710 Connector  
\* Allows for control of intensity on each 6" section  
\*\* Lights over 42" in length have dual cables

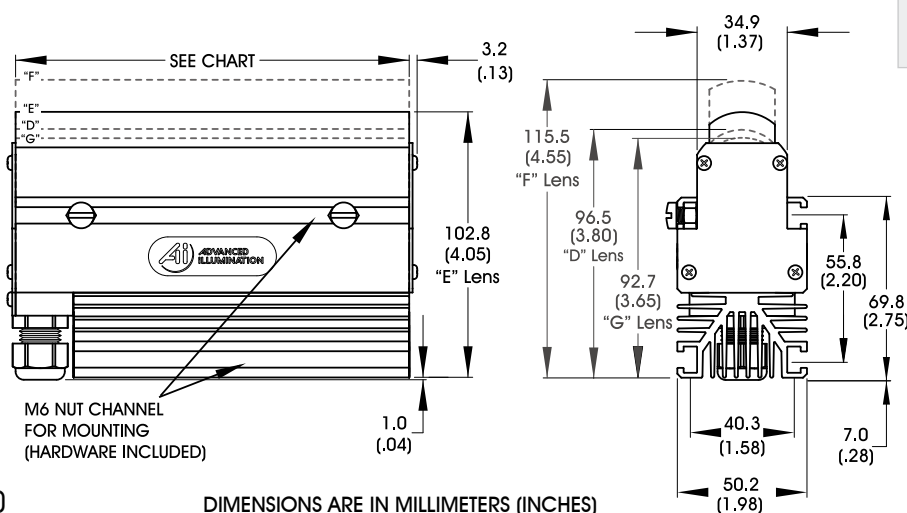
Lens	Working Distance	Beam Width
D	50mm (2")	2mm (.08")
E	75mm (3")	3mm (.13")
F	150mm (6")	6mm (.25")
G	300mm (12") 600mm (24") 900mm (36") 1200mm (48")	25mm (1.0") 45mm (1.7") 64mm (2.5") 75mm (3.0")

Built-to-order lights are non-returnable.

### Dimensional Information

DASH NUMBER	LENGTH (XX)	DESCRIPTION
-03	3.0"	EL137x03
-06	6.0"	EL137x06
LL137*	12.0"	---
-18	18.0"	EL137x18
-24	24.0"	EL137x24
-30	30.0"	EL137x30
6" increments up to a max. 96"		
-96	96.0"	EL137x96

\* see LL137 spec sheet  
x = lens option (D, E, F, G)



[Click for Installation Models & Drawings](#)

Cable Length: 1.5 Meter (59")

DIMENSIONS ARE IN MILLIMETERS (INCHES)

### Standard Variation Current Specifications

Maximum draw per 152mm (6") length

	blue	green	amber	red	infra-red	white	
@24	950	950	350	700	500	950	mA

### Standard Product Information

Product Lifetime: 50,000 hours

Operating Temperature: 0-50° C