

CBXXYY

Expandable Collimated Surface Mount LED Back Light

Aii Collimation greatly improves edge detection of curved objects

Aii Available in 1" increments up to 16" x 16"



Ordering Information

Standard Product Variation:

Red & White: Shipped Within Two Weeks

Blue & Infra-red: 4 Weeks **Green:** 6 weeks

CBXXYY

Configured with inline Current Source

"H" "W" in inches	Spectral wavelength	Optional power Compatibility	Alternative Connector
CB XX YY	XXX	XX	XXX
# indicates cable exit side	(blue) 470 † (green) 520 † (red) 660 ⊖ (infra-red) 880 ⊖ (white) WHI †	IC IS C2 C3 C5 24	M12* male

IC = iCS (requires 24v power supply)

IS = ISU (requires 24v power supply)

C2 = Ai Connector

C3 = Pulsar 710 Connector

C5 = Pulsar 320 Connector

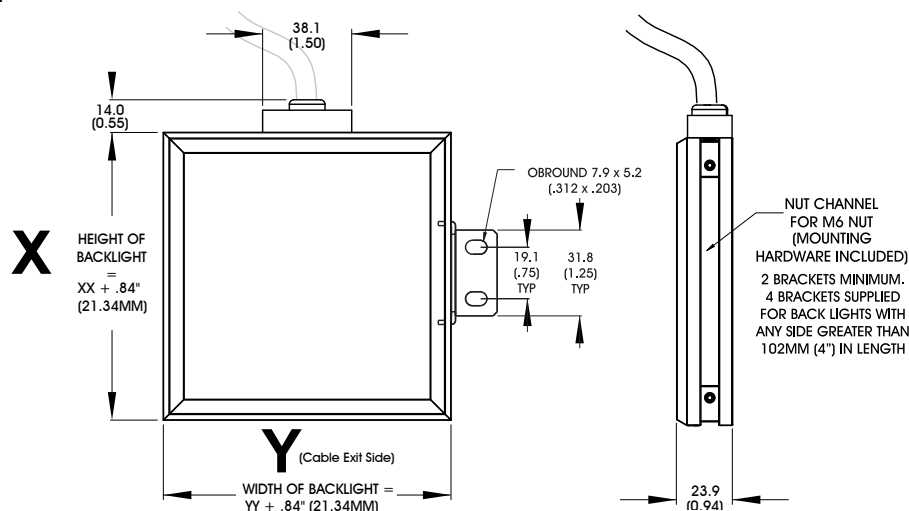
* Available with IC, IS, and 24v options only

† Not available in 12v

⊖ IS option not available

Built-to-order lights are non-returnable.

Dimensional Information



[Click for Installation Models & Drawings](#)

Maximum illuminated area: 16" x 16"

Standard Variation Current Specifications

Maximum draw per 25mm x 25mm (1" x 1") length

	blue	green	red	infra-red	white	
@12	N/A	N/A	60	60	N/A	mA
@24/Ai	20	20	30	30	20	mA

Standard Product Information

Product Lifetime: 50,000 hours

Operating Temperature: 0-60° C