

# BLXXYY

## Surface Mount LED Back Light

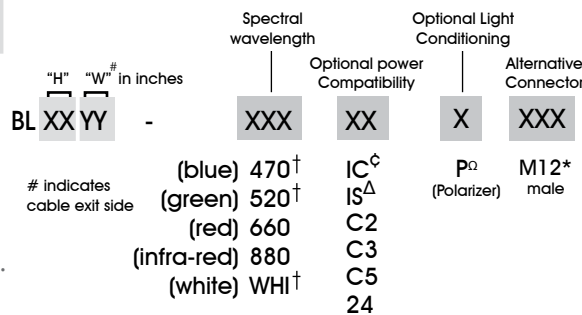


- 4ii) Extremely consistent light over the entire active area of illumination
- 4ii) Available in 25mm x 25mm (1" x 1") increments up to 22" x 34".

### Ordering Information

Standard Product Variation:  
**Red & White:** Shipped Within Three Weeks  
**Blue & Infra-red:** 4 Weeks **Green:** 6 Weeks

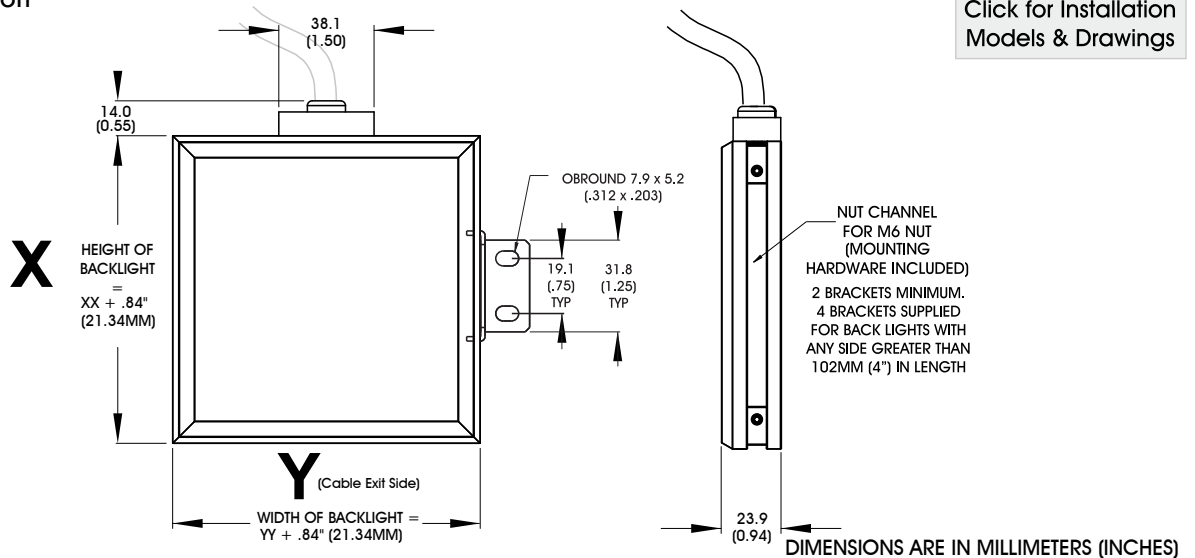
Lights with a surface area of greater than 16 square inches require either 24v wiring, or the use of the Pulsar 710 power supply.



IC = iCS (requires 24v power supply)  
 IS = iSU (requires 24v power supply)  
 C2 = Ai Connector  
 C3 = Pulsar 710 Connector  
 C5 = Pulsar 320 Connector  
 Δ 660 & 880:10 sq. inches max;  
 WHI, 470 & 520: 25 sq. inches max  
 † Available on Red and Infrared lights up to 50 square inches; and greater than 6 square inches, up to 50 square inches for White, Blue and Green lights.  
 Ω = Maximum size: 16" x 16"  
 † Not available in 12v  
 \* Available with IC, IS, 12v, and 24v options only

Built-to-order lights are non-returnable.

### Dimensional Information



[Click for Installation Models & Drawings](#)

### Current Specifications

Maximum draw per 25mm x 25mm (1" x 1") length

	blue	green	red	infra-red	white	
@12	N/A	N/A	60	60	N/A	mA
@24	20	20	30	30	20	mA

### Product Information

Product Lifetime:	50,000 hours
Operating Temperature:	0-60° C