

BL0202

2" x 2" Surface Mount LED Back Light



- 4i**) Extremely consistent light over the entire active area of illumination.
- 4i**) Integral M6 nut channel for easy mounting.

Ordering Information

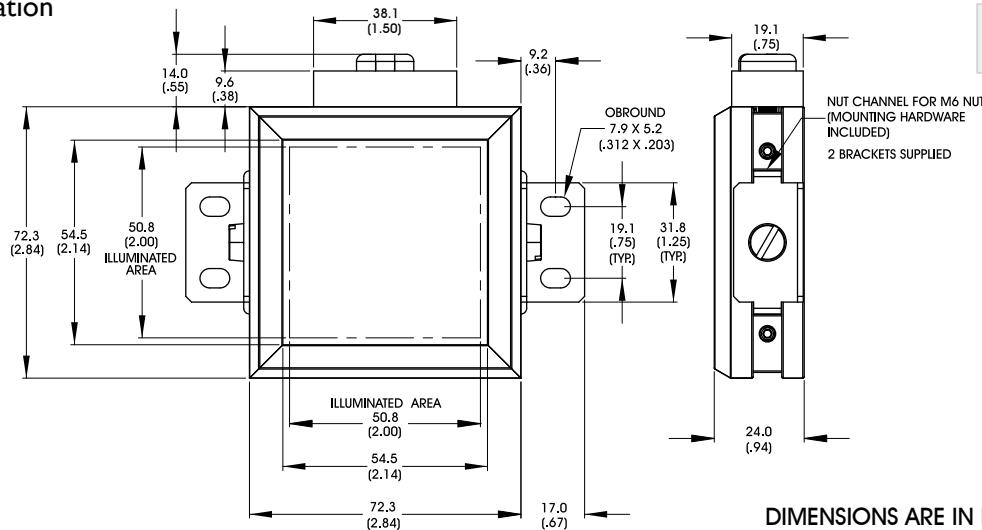
Standard Product:
Shipped Next Day
BL0202-660
Configured for use with Ai power supply
BL0202-66024
Configured for use with user supplied 24vDC Power Supply

Standard Product Variation:
Red & White: Shipped Within Two Weeks
Blue & Infra-red: 4 Weeks **Green:** 6 Weeks

BL0202	-	XXX	XX	X	XXX
		Spectral wavelength	Optional power Compatibility	Optional Light Conditioning	Alternative Connector
		(blue) 470 †	IC	P	M12*
		(green) 520 †	IS	(Polarizer)	male
		(red) 660	C2		
		(infra-red) 880	C3		
		(white) WHI †	C5		
			24		

IC = ICS (requires 24v power supply)
IS = ISU (requires 24v power supply)
C2 = Ai Connector
C3 = Pulsar 710 Connector
C5 = Pulsar 320 Connector
* Available with IC, IS, and 24v options only
† Not available with IC or 12v

Dimensional Information



Standard Variation Current Specifications

	blue	green	red	infra-red	white	
@12	N/A	N/A	240	240	N/A	mA
@24	80	80	120	120	80	mA

Standard Product Information

Product Lifetime: 50,000 hours

Operating Temperature: 0-60° C