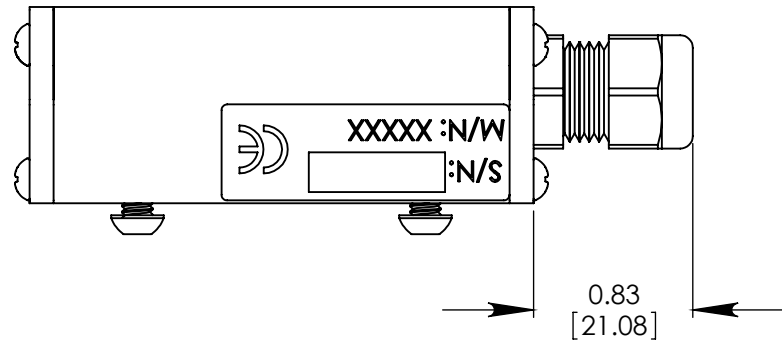
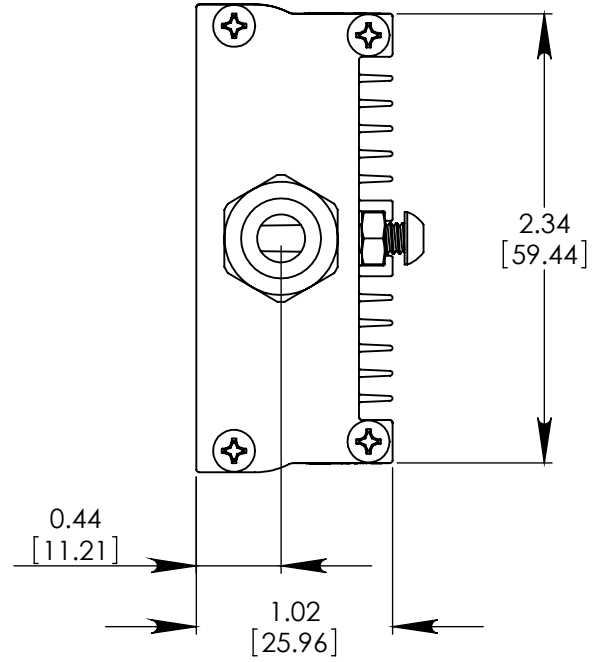
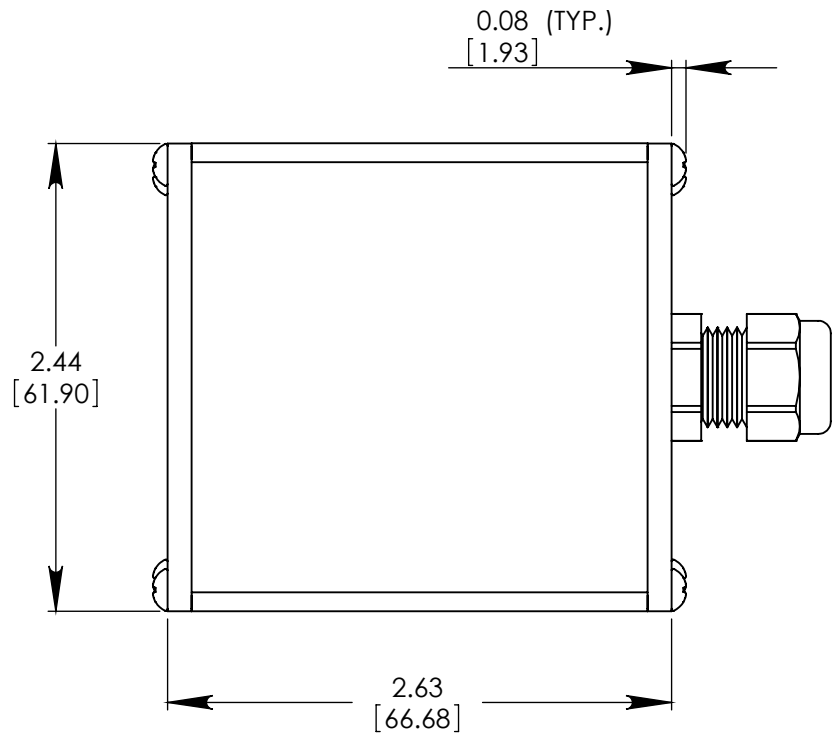


| REVISIONS | | | |
|-----------|-------------|------|--------|
| REV. | DESCRIPTION | DATE | DCN NO |
| | | | |
| | | | |



PROPRIETARY AND CONFIDENTIAL
 THESE DRAWINGS AND SPECIFICATIONS ARE THE EXCLUSIVE PROPERTIES OF ADVANCED ILLUMINATION INCORPORATED ISSUED IN STRICT CONFIDENCE AND SHALL NOT, WITHOUT THE PRIOR WRITTEN PERMISSION OF ADVANCED ILLUMINATION INC BE REPRODUCED, COPIED OR USED FOR ANY PURPOSE WHATSOEVER EXCEPT THE MANUFACTURE OF ARTICLES FOR ADVANCED ILLUMINATION INC

| | | | | |
|-------------|---------|---|------|------|
| | | UNLESS OTHERWISE SPECIFIED: | DATE | NAME |
| | | SURFACE SHOULD BE FREE OF SCRATCHES, BURRS, AND DENTS | - | - |
| | | DIMENSIONS ARE IN: INCHES | - | - |
| | | <u>TOLERANCES</u> | - | - |
| | | FRACTIONAL ± 1/16 | - | - |
| | | ANGULAR: MACH ± 1 BEND ± 1 | - | - |
| | | TWO PLACE DECIMAL ± .010 | - | - |
| | | THREE PLACE DECIMAL ± .005 | - | - |
| | | MAKE FROM | - | - |
| NEXT ASSY | USED ON | | | |
| APPLICATION | | | | |

| | | |
|----------|----|----|
| DRAWN | - | - |
| CHECKED | -- | -- |
| APPROVED | -- | -- |
| MATERIAL | - | |
| FINISH | - | |

ADVANCED ILLUMINATION
 24 PEAVINE DRIVE, ROCHESTER, VERMONT 05767

TITLE:
 DRAWING, INSTALLATION,
 SL147

| | | |
|----------|----------|-----|
| SIZE | DWG. NO. | REV |
| A | - | - |

SCALE: NTS/C CODE: - SHEET 1 OF 1