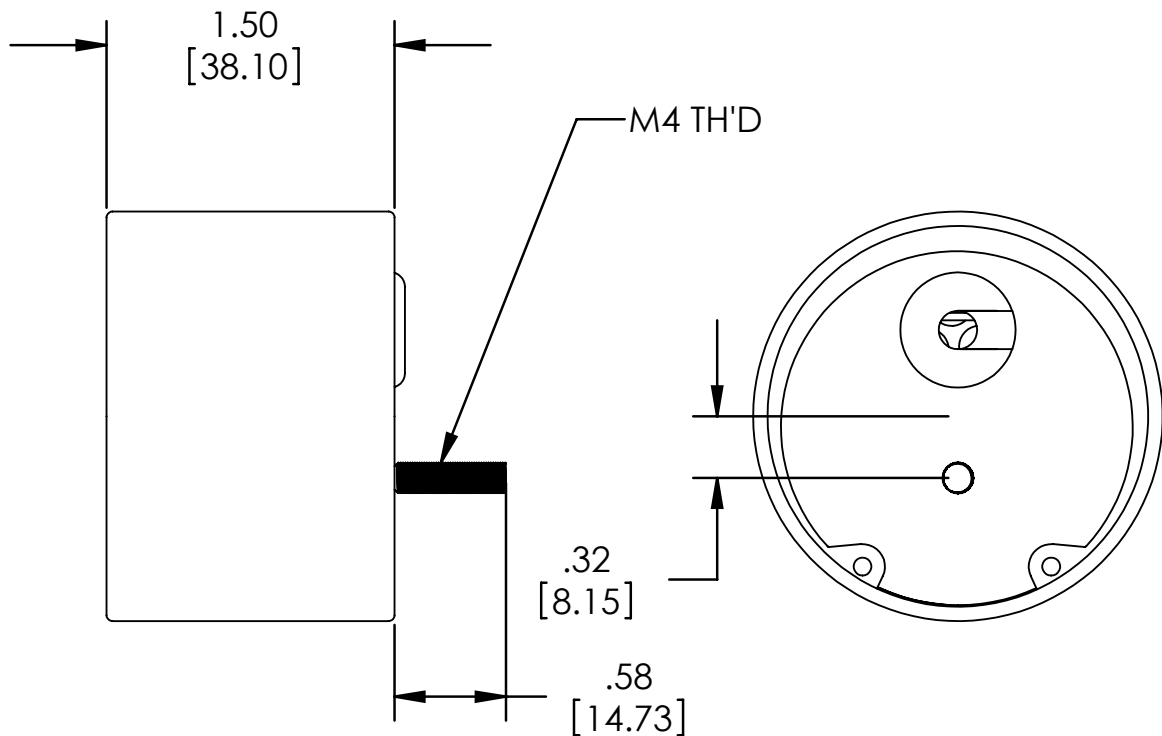
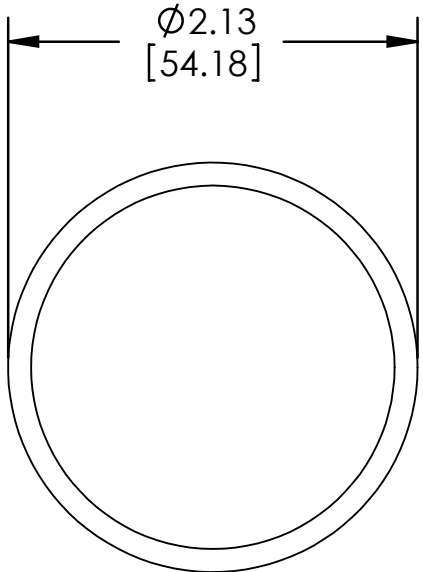


REVISIONS			
REV.	DESCRIPTION	DATE	DCN NO



PROPRIETARY AND CONFIDENTIAL
 THESE DRAWINGS AND SPECIFICATIONS ARE THE EXCLUSIVE PROPERTIES OF ADVANCED ILLUMINATION INCORPORATED ISSUED IN STRICT CONFIDENCE AND SHALL NOT, WITHOUT THE PRIOR WRITTEN PERMISSION OF ADVANCED ILLUMINATION INC BE REPRODUCED, COPIED OR USED FOR ANY PURPOSE WHATSOEVER EXCEPT THE MANUFACTURE OF ARTICLES FOR ADVANCED ILLUMINATION INC

		UNLESS OTHERWISE SPECIFIED: SURFACE SHOULD BE FREE OF SCRATCHES, BURRS, AND DENTS DIMENSIONS ARE IN: INCHES <u>TOLERANCES</u> FRACTIONAL ± 1/16 ANGULAR: MACH ± 1 BEND ± 1 TWO PLACE DECIMAL ± .010 THREE PLACE DECIMAL ± .005 MAKE FROM --		DATE	NAME
			DRAWN	--	--
			CHECKED	--	--
			APPROVED	--	--
			MATERIAL	--	--
NEXT ASSY	USED ON	FINISH	--	--	
APPLICATION					

ADVANCED ILLUMINATION
 24 PEAVINE DRIVE, ROCHESTER, VERMONT 05767

TITLE:
 DWG, INST, SL1236

SIZE	DWG. NO.	REV
A	--	--

SCALE: 1:1 C CODE: SHEET 1 OF 1