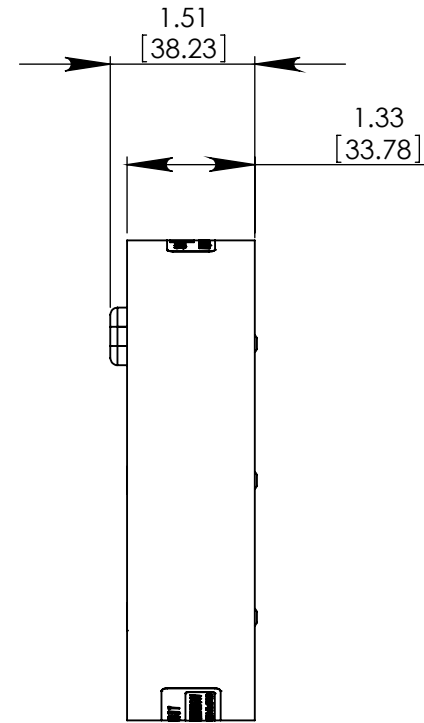
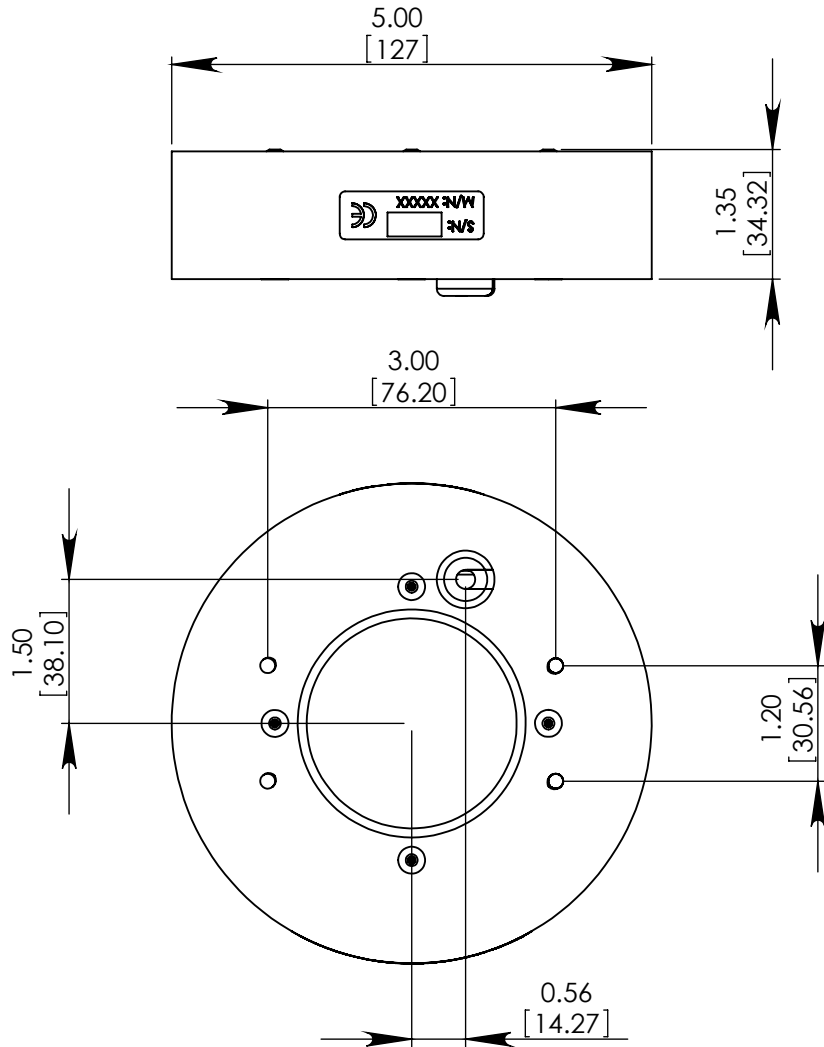


REVISIONS			
REV.	DESCRIPTION	DATE	DCN NO



PROPRIETARY AND CONFIDENTIAL
 THESE DRAWINGS AND SPECIFICATIONS ARE THE EXCLUSIVE PROPERTIES OF ADVANCED ILLUMINATION INCORPORATED ISSUED IN STRICT CONFIDENCE AND SHALL NOT, WITHOUT THE PRIOR WRITTEN PERMISSION OF ADVANCED ILLUMINATION INC BE REPRODUCED, COPIED OR USED FOR ANY PURPOSE WHATSOEVER EXCEPT THE MANUFACTURE OF ARTICLES FOR ADVANCED ILLUMINATION INC

UNLESS OTHERWISE SPECIFIED:		DATE	NAME
SURFACE SHOULD BE FREE OF SCRATCHES, BURRS, AND DENTS		--	--
DIMENSIONS ARE IN: INCHES		--	--
<u>TOLERANCES</u>		--	--
FRACTIONAL ± 1/16		MATERIAL --	
ANGULAR: MACH ± 1 BEND ± 1			
TWO PLACE DECIMAL ± .010			
THREE PLACE DECIMAL ± .005		FINISH --	
MAKE FROM		--	
NEXT ASSY	USED ON		
APPLICATION			

ADVANCED ILLUMINATION
 24 PEAVINE DRIVE, ROCHESTER, VERMONT 05767

TITLE:
 DRAWING, INSTALLATION, RL3536

SIZE DWG. NO. REV
A -- --

SCALE: NTS C CODE: SHEET 1 OF 1