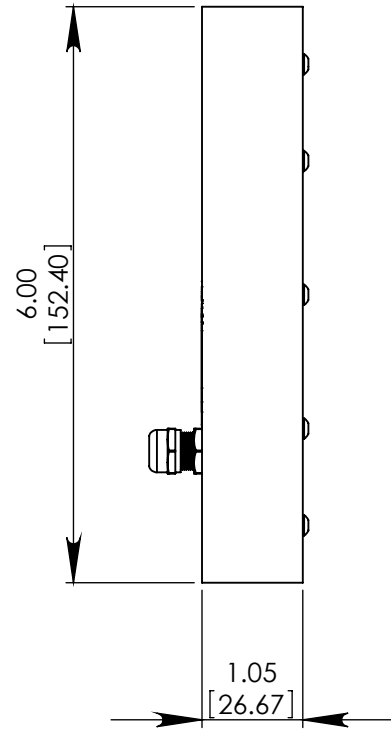
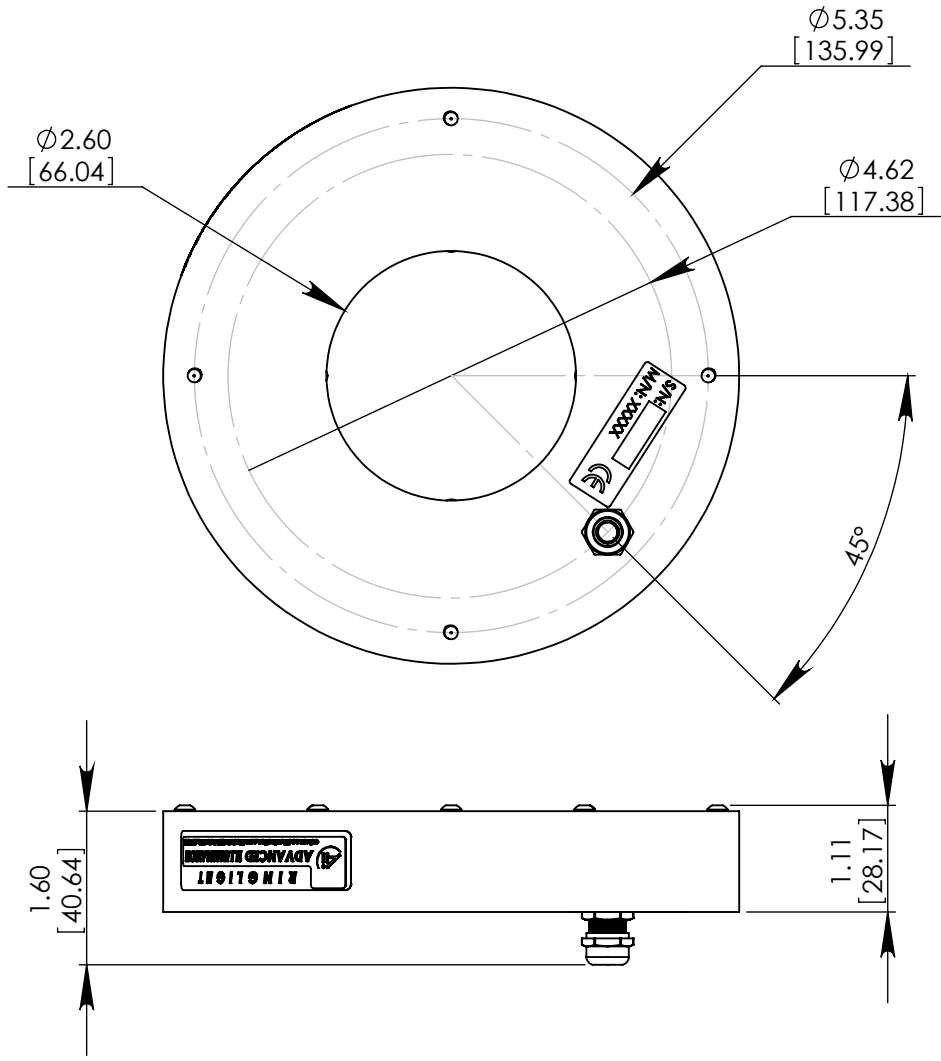


REVISIONS			
REV.	DESCRIPTION	DATE	DCN NO



PROPRIETARY AND CONFIDENTIAL
 THESE DRAWINGS AND SPECIFICATIONS ARE THE EXCLUSIVE PROPERTIES OF ADVANCED ILLUMINATION INCORPORATED ISSUED IN STRICT CONFIDENCE AND SHALL NOT, WITHOUT THE PRIOR WRITTEN PERMISSION OF ADVANCED ILLUMINATION INC BE REPRODUCED, COPIED OR USED FOR ANY PURPOSE WHATSOEVER EXCEPT THE MANUFACTURE OF ARTICLES FOR ADVANCED ILLUMINATION INC

		UNLESS OTHERWISE SPECIFIED:		DATE	NAME
		SURFACE SHOULD BE FREE OF SCRATCHES, BURRS, AND DENTS	DRAWN	--	--
		DIMENSIONS ARE IN: INCHES	CHECKED	--	--
		<u>TOLERANCES</u>	APPROVED	--	--
		FRACTIONAL $\pm 1/16$	MATERIAL		
		ANGULAR: MACH ± 1 BEND ± 1			
		TWO PLACE DECIMAL $\pm .010$	FINISH		
		THREE PLACE DECIMAL $\pm .005$			
		MAKE FROM			
NEXT ASSY	USED ON				
APPLICATION					

ADVANCED ILLUMINATION
 24 PEAVINE DRIVE, ROCHESTER, VERMONT 05767

TITLE:
 DRAWING, INSTALLATION, RL113

SIZE	DWG. NO.	REV
A	--	--

SCALE: 1:2 C CODE: SHEET 1 OF 1