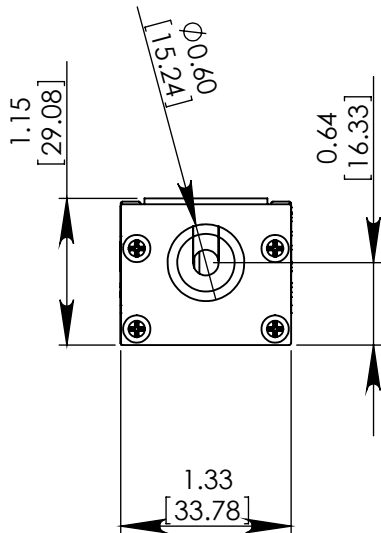
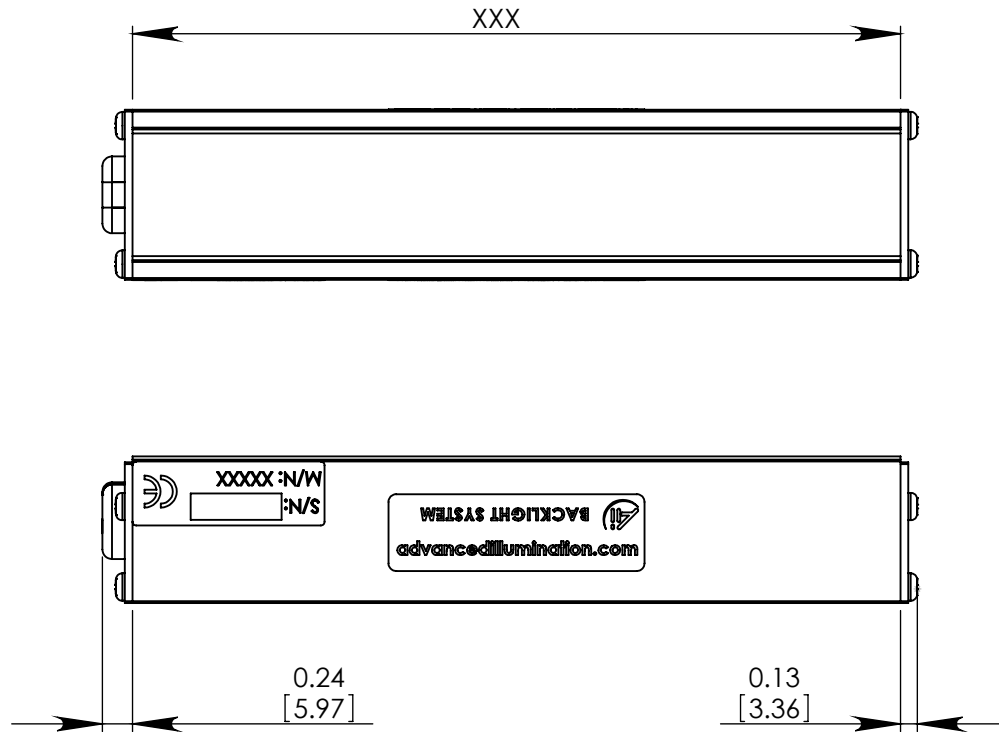


REVISIONS			
REV.	DESCRIPTION	DATE	DCN NO

EL193 LENGTH CHART

PART NUMBER	LENGTH (XXX)
EL19302	2"/50.8mm
EL19304	4"/101.6mm
EL19306	6"/152.4mm
EL19308	8"/203.2mm
EL19310	10"/254mm
EL19312	12"/304.8mm
EL19314	14"/355.6mm
EL19316	16"/406.4mm
EL19318	18"/457.2mm
EL19320	20"/508mm
EL19322	22"/558.4mm
EL19324	24"/609.6mm
EL19326	26"/660.4mm
EL19328	28"/711.2mm
EL19330	30"/762mm
EL19332	32"/812.8mm
EL19334	34"/863.6mm
EL19336	36"/914.4mm
EL19338	38"/965.2mm
EL19340	40"/1016mm
EL19342	42"/1066.8mm
EL19344	44"/1117.6mm
EL19346	46"/1168.4mm
EL19348	48"/1219.2mm
EL19350	50"/1270mm
EL19352	52"/1320.8mm
EL19354	54"/1371.6mm
EL19356	56"/1422.4mm
EL19358	58"/1473.2mm
EL19360	60"/1524mm
EL19362	62"/1574.8mm
EL19364	64"/1625.6mm
EL19366	66"/1676.4mm
EL19668	68"/1727.2mm
EL19370	70"/1778mm
EL19372	72"/1828.8mm
EL19374	74"/1879.6mm
EL19376	76"/1930.4mm
EL19378	78"/1981.2mm
EL19380	80"/2032mm



PROPRIETARY AND CONFIDENTIAL
 THESE DRAWINGS AND SPECIFICATIONS ARE THE EXCLUSIVE PROPERTIES OF ADVANCED ILLUMINATION INCORPORATED ISSUED IN STRICT CONFIDENCE AND SHALL NOT, WITHOUT THE PRIOR WRITTEN PERMISSION OF ADVANCED ILLUMINATION INC BE REPRODUCED, COPIED OR USED FOR ANY PURPOSE WHATSOEVER EXCEPT THE MANUFACTURE OF ARTICLES FOR ADVANCED ILLUMINATION INC

UNLESS OTHERWISE SPECIFIED:		DATE	NAME
SURFACE SHOULD BE FREE OF SCRATCHES, BURRS, AND DENTS		---	---
DIMENSIONS ARE IN: INCHES		---	---
<u>TOLERANCES</u>			
FRACTIONAL ± 1/16			
ANGULAR: MACH ± 1 BEND ± 1			
TWO PLACE DECIMAL ± .010			
THREE PLACE DECIMAL ± .005			
MAKE FROM			
NEXT ASSY	USED ON		
APPLICATION			

ADVANCED ILLUMINATION
 24 PEAVINE DRIVE, ROCHESTER, VERMONT 05767

TITLE:
 DRAWING INSTALLATION, EL193

SIZE DWG. NO. REV
A -- --

SCALE: NTS C CODE: SHEET 1 OF 1